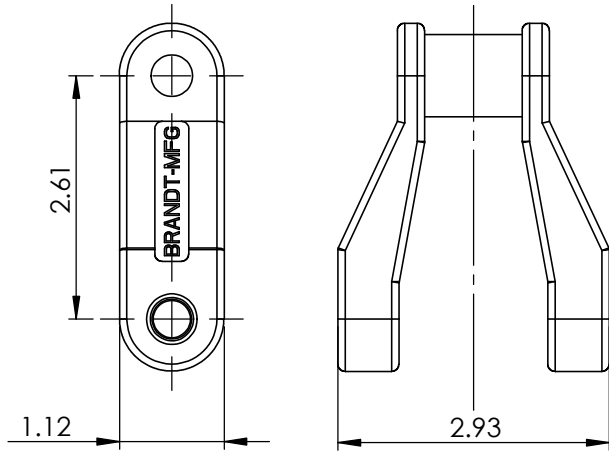
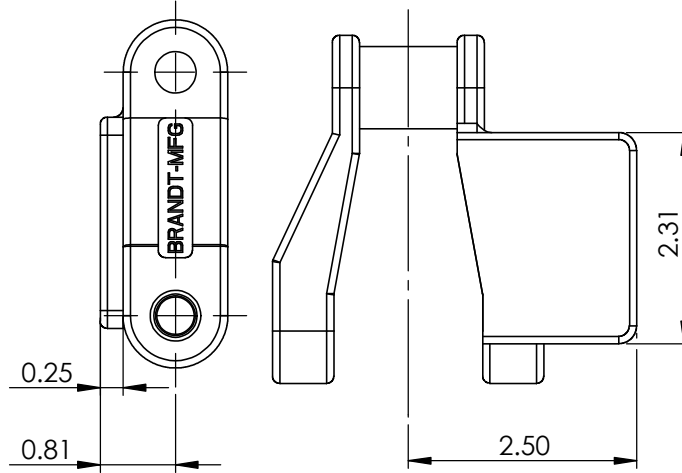


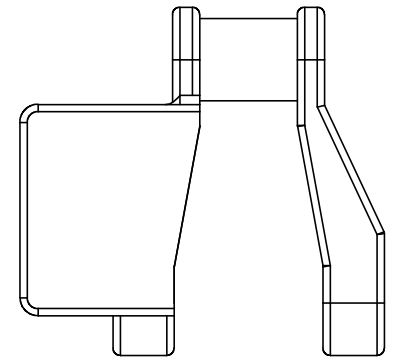
NH78



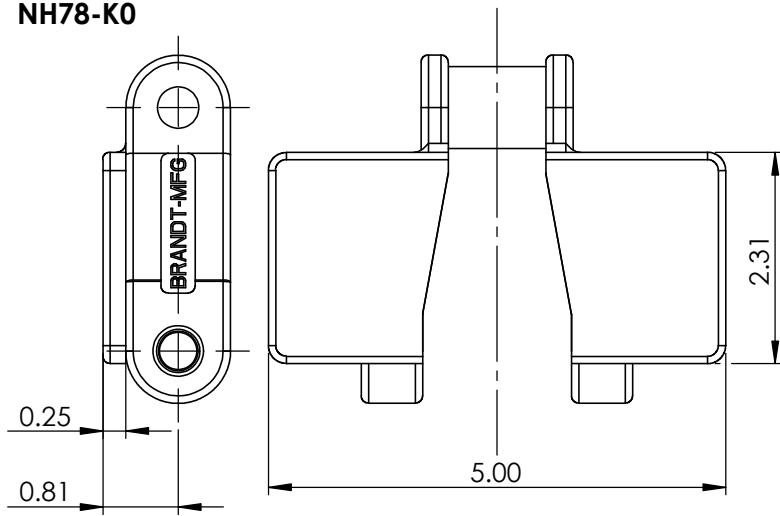
NH78-A0-RH



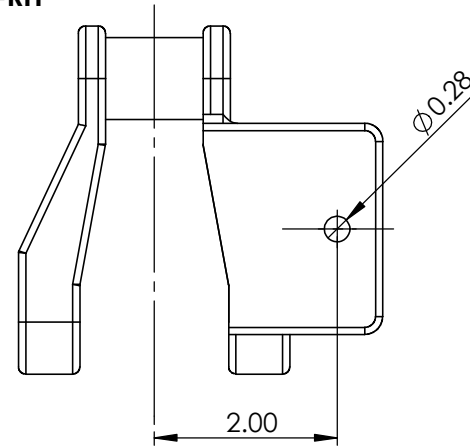
NH78-A0-LH



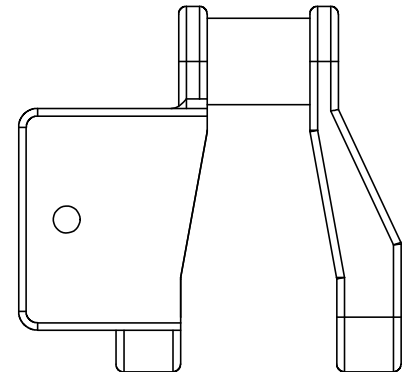
NH78-K0



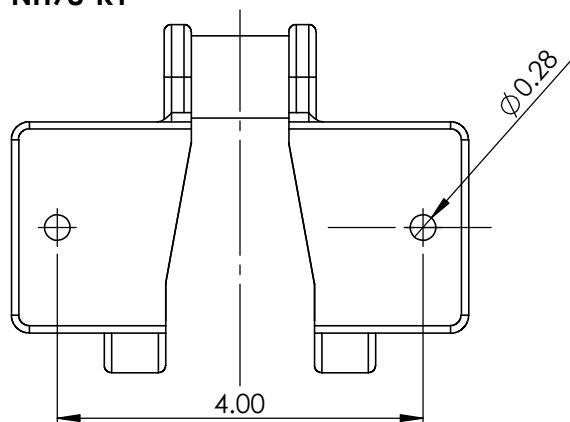
NH78-A1-RH



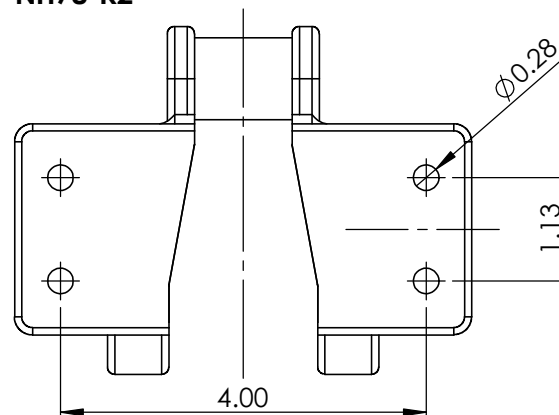
NH78-A1-LH



NH78-K1



NH78-K2



BRANDT Manufacturing

4974 Bird Drive  
Stockbridge, MI 49285  
P: (517) 851-7000

www.brandt-mfg.com

Title

NH78 and NH78 Attachment Links

SIZE

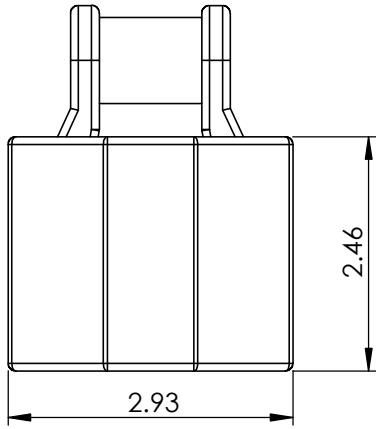
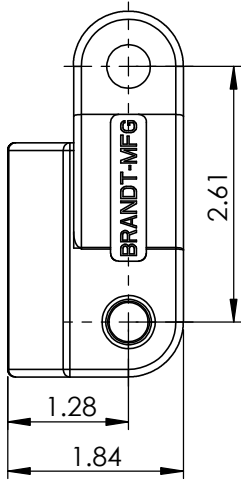
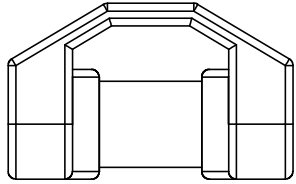
DWG. NO.

NH78-xx

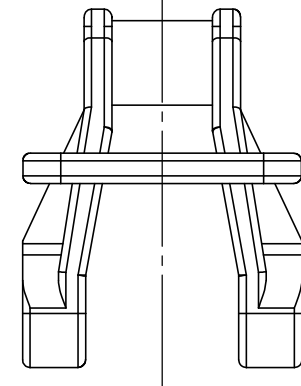
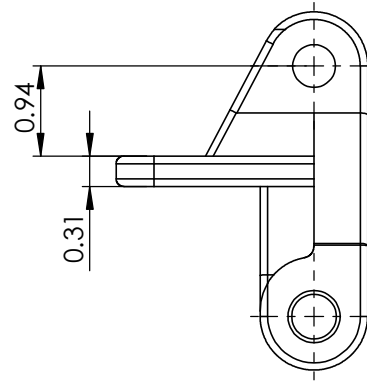
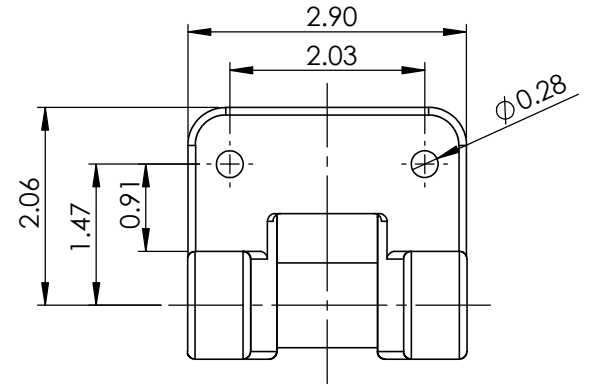
REV.

00

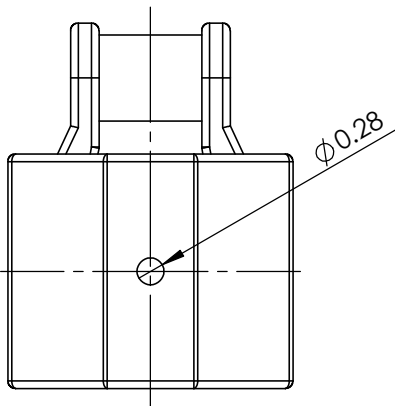
NH78-RT



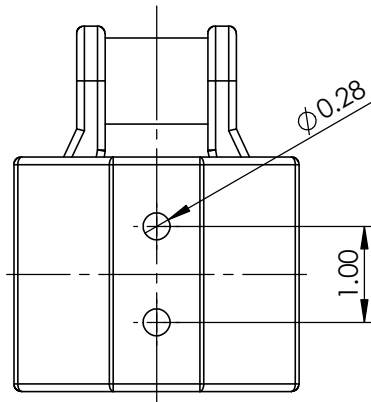
NH78-F2



NH78-RT1

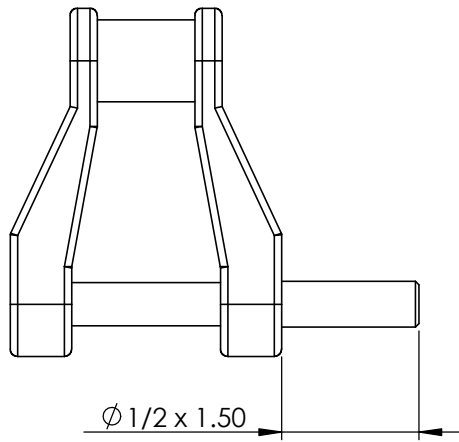


NH78-RT2

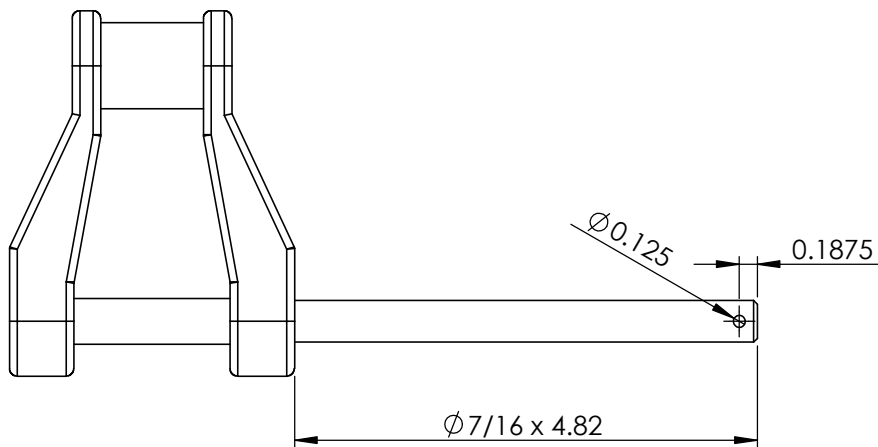


<b>BRANDT Manufacturing</b>		
4974 Bird Drive Stockbridge, MI 49285 P: (517) 851-7000 <a href="http://www.brandt-mfg.com">www.brandt-mfg.com</a>		
Title NH78 Roof Top and F2 Link		
SIZE <b>A</b>	DWG. NO. NH78-xx	REV. 00

**NH78-D8**



**NH78-DAF400**



<b>BRANDT Manufacturing</b>		
4974 Bird Drive Stockbridge, MI 49285 P: (517) 851-7000 <a href="http://www.brandt-mfg.com">www.brandt-mfg.com</a>		
Title NH78 Extended Pins		
SIZE <b>A</b>	DWG. NO. NH78-xx	REV. 00