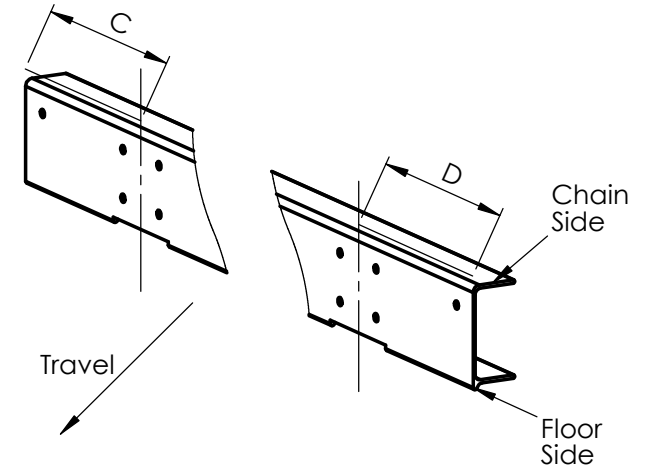
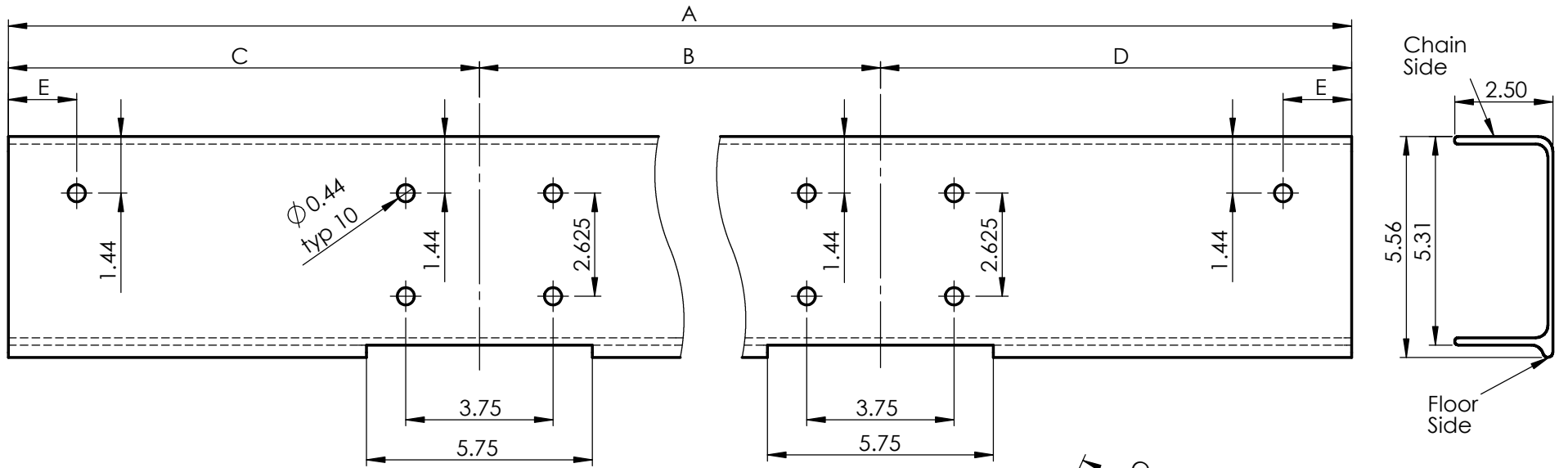
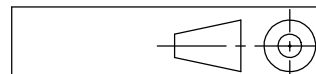


REVISIONS		DATE	APPROVED
ZONE	REV.	DESCRIPTION	



A	inch
B	inch
C	inch
D	inch
E	inch

Comments: \_\_\_\_\_ Date: \_\_\_\_\_



**PROPRIETARY AND CONFIDENTIAL**

THE INFORMATION CONTAINED IN THIS DRAWING IS THE SOLE PROPERTY OF Brandt Mfg. ANY REPRODUCTION IN PART OR AS A WHOLE WITHOUT THE WRITTEN PERMISSION OF Brandt Mfg. IS PROHIBITED.

DIMENSIONS ARE IN INCH		NAME	DATE	<b>Brandt Mfg.</b>
DRAWN				
CHECKED				4974 Bird Drive Stockbridge, MI 49285 P: (734) 222-8820 F: (734) 665-9080
ENG APPR.				
MFG APPR.				
Q.A.				Title
COMMENTS:				<b>6" Flight (Specification Form)</b>
MATERIAL	FRP high strength	SIZE	DWG. NO.	REV
FINISH		<b>A</b>		<b>00</b>
DO NOT SCALE DRAWING		SCALE: 1:4	WEIGHT:	SHEET 1 OF 1