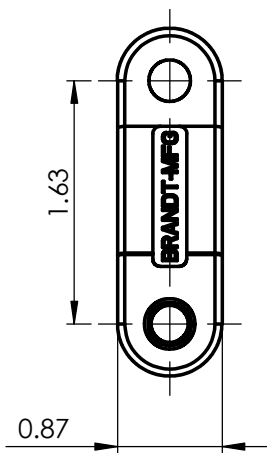
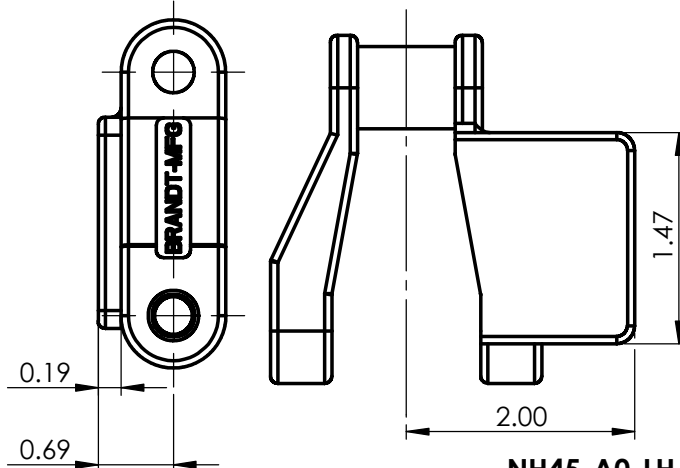


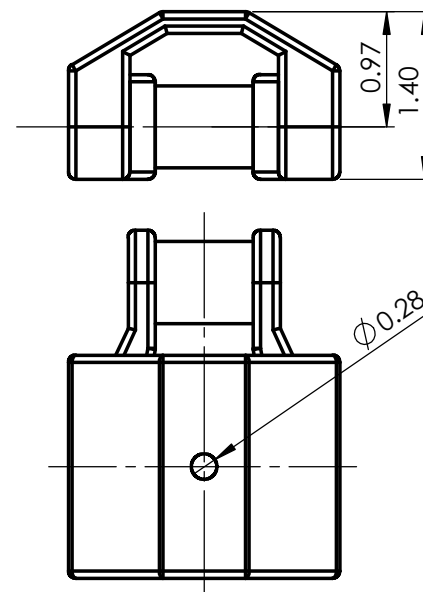
NH45



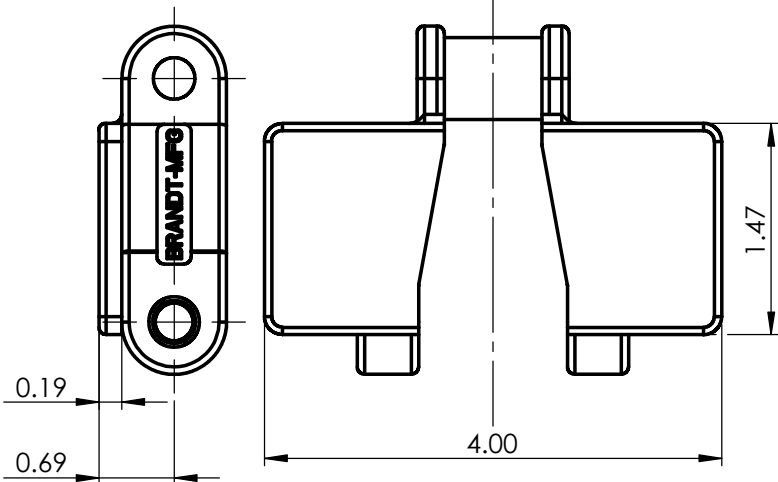
NH45-A0-RH



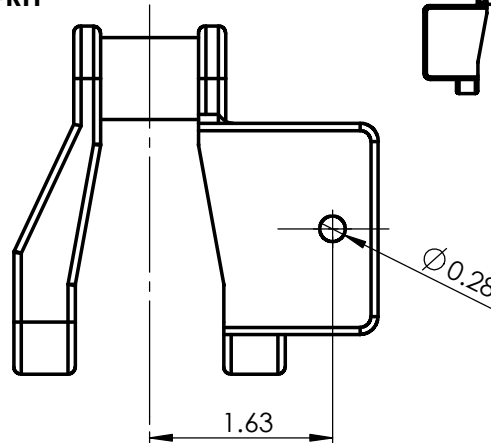
NH45-RT1



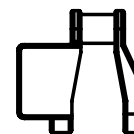
NH45-K0



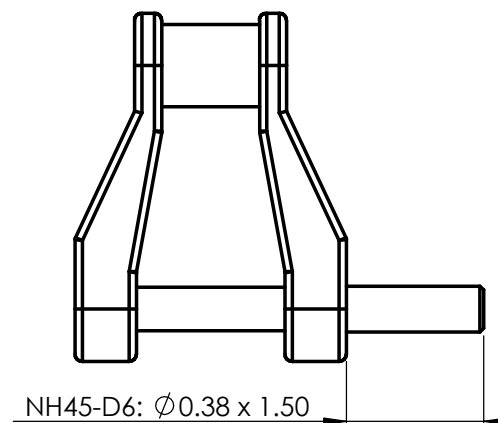
NH45-A1-RH



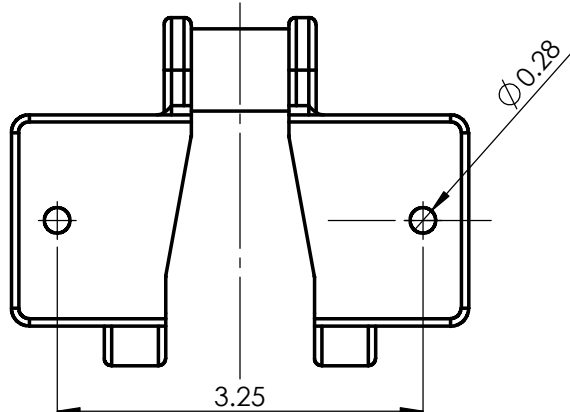
NH45-A0-LH



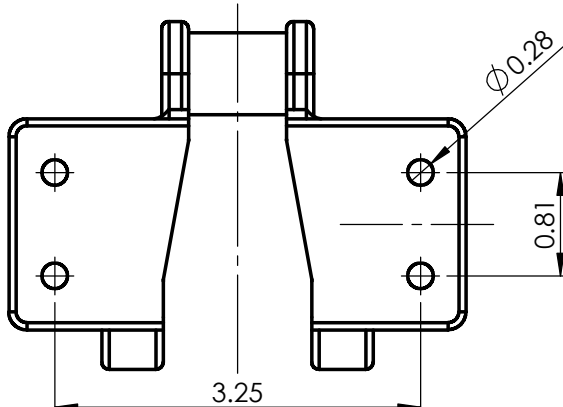
NH45-D6



NH45-K1



NH45-K2



BRANDT Manufacturing

4974 Bird Drive
Stockbridge, MI 49285
P: (517) 851-7000

www.brandt-mfg.com

Title
NH45 Attachments and Ext. pins

SIZE A	DWG. NO. NH45-xx	REV. 00
------------------	---------------------	------------