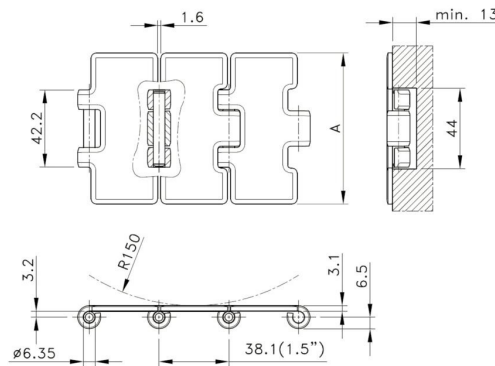
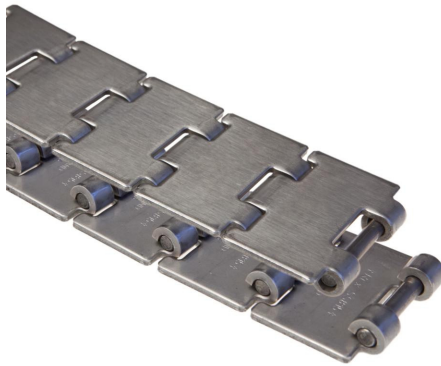


812 Stainless Steel Flat Top Chain

Flat Top 815 is a straight running stainless steel chain with a stainless steel pin. It has a 1.50 in pitch and the top plate thickness is 3.0 mm (0.12"). This chain is highly abrasion resistant. 815 series sprockets are available in 21, 23, 25 and 31 teeth. Applications include food products, industrial assembly and bottling lines.



Specifications

Part No.	Width (A)		Weight / ft.
812-K250 SS420	63.5 mm	2.50 in.	0.66 kg (1.45 LBS)
812-K325 SS420	82.6 mm	3.25 in.	0.81 kg (1.78 LBS)
812-K450 SS420	114.3 mm	4.50 in.	1.02 kg (2.24 LBS)
812-K600 SS420	152.4 mm	6.00 in.	1.29 kg (2.85 LBS)
812-K750 SS420	190.5 mm	7.50 in.	1.47 kg (3.24 LBS)
Working Tensile Strength	2,780 N	625 lbs force	
Chain Material	420 Stainless Steel		
Pin Material	420 Stainless Steel		
Packaging	10 ft. length		

The data listed above are typical properties, and as such are dependent on the operating environment. No warranties, expressed or implied, including patent warranties, or warranties of merchantability or fitness for use, are made with respect to the product information.



4974 Bird Drive
Stockbridge, MI 49285
(517) 851-7000
www.brandt-mfg.com